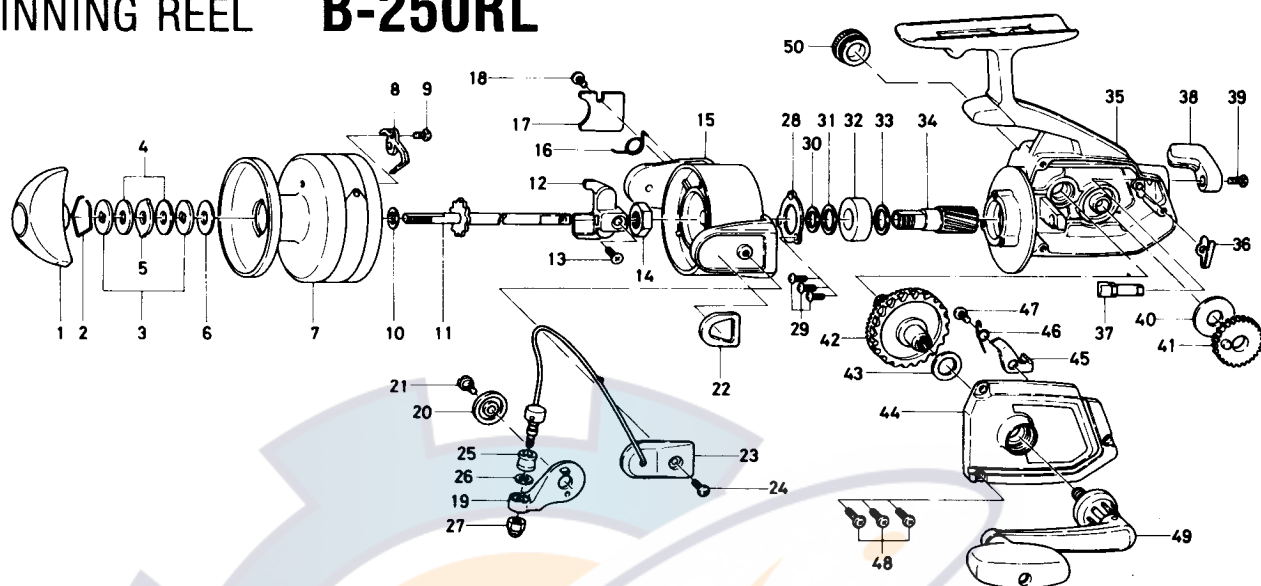


## SPINNING REEL B-250RL



LINE CAPACITY: 275 YDS., 12 LB. TEST (250m, 5.5kg)

Key No. 2 ~ 9

6-731-5404 Spool assembly \$8.10

Key No.	Parts No.	Parts Name	Price Per Piece	Key No.	Parts No.	Parts Name	Price Per Piece
1	6-740-2103	Drag knob	\$2.00	26	6-373-4501	Roller collar	\$ .25
2	6-170-4001	Drag washer retainer	.10	27	6-340-8501	Bail nut	.40
3	6-373-2502	Drag D washer	.15	28	6-634-7011	Pinion collar ret. washer	.25
4	6-374-2901	Disc washer	.20	29	6-351-6601	Pinion collar ret. washer screw	.10
5	6-375-5301	Drag A washer	.15	30	6-372-8600	Pinion washer A	.10
6	6-370-6901	Drag washer A	.15	31	6-371-2822	Pinion washer B	.10
7	6-731-5503	Spool	N/A	32	6-636-2611	Shaft metal	1.15
8	6-030-4511	Spool click claw	.10	33	6-371-2822	Pinion adjusting washer	.10
9	6-351-6101	Spool click claw screw	.10	34	6-402-4511	Pinion gear	1.50
10	6-374-9001	Spool washer	.10	35	6-701-0901	Body	4.50
11	6-711-3401	Main shaft	.95	36	6-150-6731	Anti-reverse cam spring	.15
12	6-481-2201	Oscillating slider	.40	37	6-460-4721	Anti-reverse cam	.15
13	6-351-8901	Oscillating slider screw	.10	38	6-541-3311	Anti-reverse lever	.15
14	6-340-8301	Rotor nut	.20	39	6-352-2501	Anti-reverse lever screw	.10
15	6-201-7703	Rotor	3.00	40	6-374-6600	Oscillating gear washer	.10
16	6-143-5311	Bail spring	.15	41	6-413-2212	Oscillating gear	.40
17	6-632-6411	Bail spring cover	.15	42	6-413-8401	Drive gear	1.85
18	6-351-1801	Bail spring cover screw	.10	43	6-371-2820	Drive gear washer	.10
19	6-230-8121	Arm lever	1.40	44	6-706-7501	Body cover	2.35
20	6-130-3201	Bail holder cap	.10	45	6-110-9622	Anti-reverse claw	.20
21	6-363-1901	Arm lever screw	.30	46	6-144-2801	Anti-reverse claw spring	.10
22	6-210-3111	Balancer	.35	47	6-351-6102	Anti-reverse claw screw	.10
23	6-725-1132	Bail	1.75	48	6-351-8501	Body cover screw	.10
24	6-351-6601	Bail holder screw	.10	49	6-747-1401	Handle	2.95
25	6-250-2811	Line roller	.30	50	6-363-7401	Handle screw cap	.50